

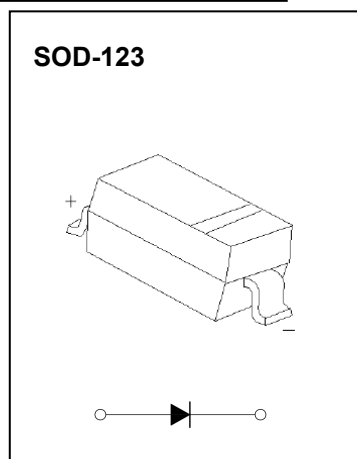
## SOD-123 Plastic-Encapsulate Diodes

SCHOTTKY BARRIER DIODE

### FEATURES

For use in low voltage, high frequency inverters  
Free wheeling, and polarity protection applications.

MARKING: **S4**



### Maximum Ratings and Electrical Characteristics, Single Diode @Ta=25°C

Parameter	Symbol	SD103AW	Unit
Non-Repetitive Peak Reverse Voltage	$V_{RM}$	40	V
Peak Repetitive Peak Reverse Voltage Working Peak Reverse Voltage DC Blocking Voltage	$V_{RRM}$ $V_{RWM}$ $V_R$	40	V
RMS Reverse Voltage	$V_{R(RMS)}$	28	V
Average Rectified Output Current	$I_O$	0.35	A
Peak Forward Surge Current @t=8.3ms	$I_{FSM}$	2	A
Repetitive Peak Forward Current	$I_{FRM}$	0.5	A
Power Dissipation	$P_d$	400	mW
Thermal Resistance Junction to Ambient	$R_{\theta JA}$	20	°C/W
Storage Temperature	$T_{STG}$	- 65—+125	°C

### ELECTRICAL CHARACTERISTICS (Ta=25°C unless otherwise specified)

Parameter	Symbol	Test conditions	Min	Max	Unit
Reverse breakdown voltage	$V_{(BR)}$	$I_R = 1mA$ SD103AW	40		V
Reverse voltage leakage current	$I_R$	$V_R = 40V$ SD103AW		5	uA
Forward voltage	$V_F$	SD103AW $I_F = 0.35A$ $I_F = 2A$		0.37 0.6	V
Diode capacitance	$C_D$	$V_R = 0V, f = 1MHz$		50	pF

# Typical Characteristics

