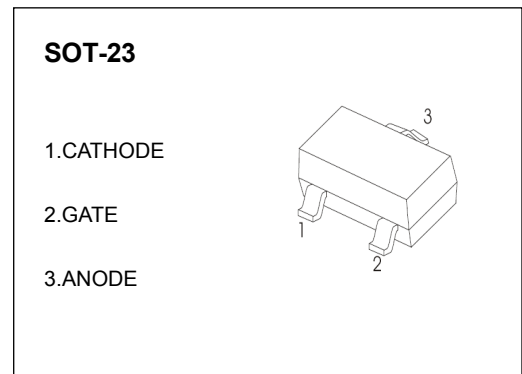


## PCR0.6 Silicon Planar DBDB Thyristor

### MAIN FEATURES

Symbol	Value	Unit
$I_{T(RMS)}$	0.6	A
$V_{DRM}$	PCR406	400
	PCR606	600
$T_j$	Junction Temperature	-40~+125 °C
$T_{stg}$	Storage Temperature	-40~+150 °C



### DESCRIPTION

Logic level sensitive gate triac intended to be interfaced directly to microcontrollers, logic integrated circuits and other low power gate trigger circuits.

### FEATURES

- RMS on-state current to 0.6 A
- General purpose switching

### APPLICATIONS

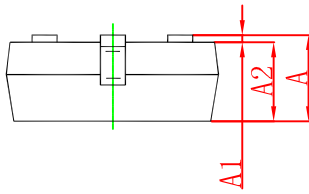
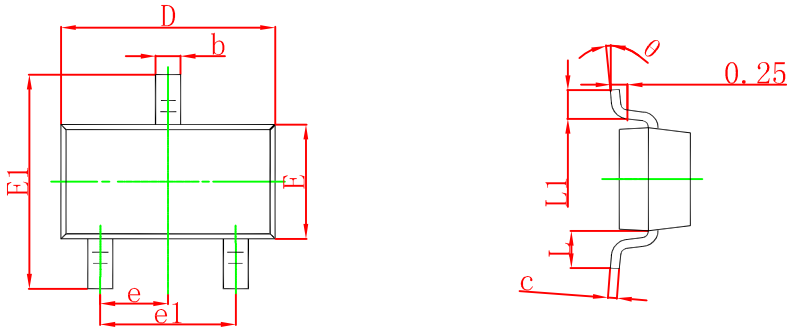
- General purpose switching
- Phase control applications
- Solid state relays

‘A5 F ? -B; .( \$ \* Z \* \$ \* ’

### ELECTRICAL CHARACTERISTICS ( $T_a=25^{\circ}\text{C}$ unless otherwise specified)

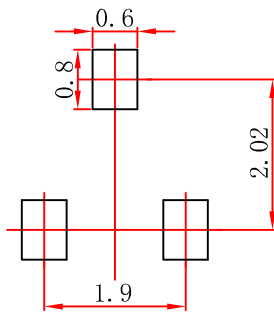
Parameter	Symbol	Test conditions	Min	Max	Unit
On state voltage	$V_{TM}$	$I_{TM}=0.6\text{A}$		1.7	V
Gate trigger voltage	$V_{GT}$	$V_{AK}=7\text{V}$		0.8	V
Repetitive peak off-state voltage	$V_{DRM(PCR406)}$	$I_{DRM}=10\mu\text{A}$	400		V
	$V_{DRM(PCR606)}$		600		V
Holding current	$I_H$	$I_T=600\text{mA}, I_G=60\text{V}$		5	mA
Gate trigger current	$I_{GT}$	$V_{AK}=7\text{V}$	5	40	$\mu\text{A}$

## SOT-23 Package Outline Dimensions



Symbol	Dimensions In Millimeters		Dimensions In Inches	
	Min	Max	Min	Max
A	0.900	1.150	0.035	0.045
A1	0.000	0.100	0.000	0.004
A2	0.900	1.050	0.035	0.041
b	0.300	0.500	0.012	0.020
c	0.080	0.150	0.003	0.006
D	2.800	3.000	0.110	0.118
E	1.200	1.400	0.047	0.055
E1	2.250	2.550	0.089	0.100
e	0.950 TYP		0.037 TYP	
e1	1.800	2.000	0.071	0.079
L	0.550 REF		0.022 REF	
L1	0.300	0.500	0.012	0.020
$\theta$	0°	8°	0°	8°

## SOT-23 Suggested Pad Layout



- Note:
1. Controlling dimension: in millimeters.
  2. General tolerance:  $\pm 0.05\text{mm}$ .
  3. The pad layout is for reference purposes only.