

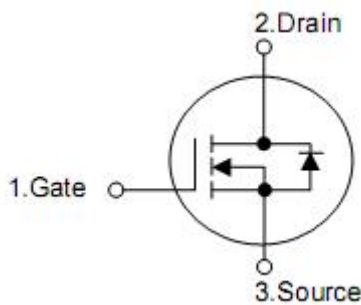
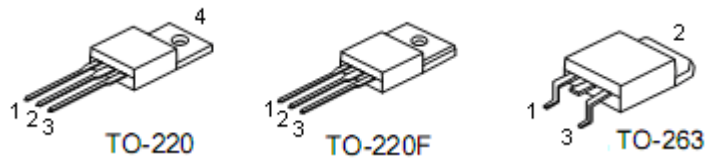
## 1. Description

These N-Channel enhancement mode power field effect transistors are produced using XXW's proprietary, planar stripe, DMOS technology. This advanced technology has been especially tailored to minimize on-state resistance, provide superior switching performance, and withstand high energy pulse in the avalanche and commutation mode. These devices are well suited for low voltage applications such as automotive, DC/DC converters, and high efficiency switching for power management in portable and battery operated products.

## 2. Features

- n 65A, 60V,  $R_{DS(on)} = 0.016\Omega @ V_{GS} = 10V$
- n Low gate charge ( typical 48nC)
- n Low Crss ( typical 32.5pF)
- n Fast switching
- n 100% avalanche tested
- n Improved dv/dt capability
- n 175° maximum junction temperature rating

## 3. Pin configuration



Pin	Function
1	Gate
2	Drain
3	Source
4	Drain

## 4. Absolute maximum ratings

 (T<sub>C</sub>= 25 °C , unless otherwise specified)

Parameter	Symbol	Rating	Units
Drain-source voltage	V <sub>DSS</sub>	60	V
Drain current	I <sub>D</sub>	T <sub>C</sub> =25 °C	A
		T <sub>C</sub> =100 °C	A
Drain current pulsed (note 1)	I <sub>DM</sub>	260	A
Gate-source voltage	V <sub>GSS</sub>	±20	V
Single pulsed avalanche energy (note 2)	E <sub>AS</sub>	650	mJ
Avalanche current (note 1)	I <sub>AR</sub>	65	A
Repetitive avalanche energy (note 1)	E <sub>AR</sub>	15.0	mJ
Peak diode recovery dv/dt (note 3)	dv/dt	7.0	V/ns
Power dissipation	P <sub>D</sub>	T <sub>C</sub> =25 °C	W
		derate above 25 °C	W/°C
Operating and Storage temperature range	T <sub>J</sub> , T <sub>STG</sub>	-55 ~ +175	°C
Maximum lead temperature for soldering purposes, 1/8" from case for 5 seconds	T <sub>L</sub>	300	°C

## 5. Thermal characteristics

Parameter	Symbol	Min	Max	Unit
Thermal resistance, Junction-to-case	R <sub>θJC</sub>		1.00	°C /W
Thermal resistance, case-to-sink	R <sub>θCS</sub>	0.5		°C /W
Thermal resistance, Junction-to-ambient	R <sub>θJA</sub>		62.5	°C /W

## 6. Electrical characteristics

 (T<sub>J</sub>=25°C, unless otherwise notes)

Parameter	Symbol	Conditions	Min	Typ	Max	Unit
Off characteristics						
Drain-source breakdown voltage	BV <sub>DSS</sub>	V <sub>GS</sub> =0V, I <sub>D</sub> =250μA	60			V
Breakdown voltage temperature coefficient	ΔBV <sub>DSS</sub> /ΔT <sub>J</sub>	I <sub>D</sub> =250μA, referenced to 25 °C		0.07		V/°C
Zero gate voltage drain current	I <sub>DSS</sub>	V <sub>DS</sub> =60V, V <sub>GS</sub> =0V			1	μA
		V <sub>DS</sub> =48V, T <sub>C</sub> =150°C			10	μA
Gate-body leakage current	Forward	I <sub>GSSF</sub>			100	nA
	Reverse	I <sub>GSSR</sub>			-100	nA
On characteristics						
Gate threshold voltage	V <sub>GS(th)</sub>	V <sub>DS</sub> =V <sub>GS</sub> , I <sub>D</sub> =250μA	2.0		4.0	V
Static drain-source on-resistance	R <sub>DS(on)</sub>	V <sub>GS</sub> =10V, I <sub>D</sub> =39A		0.015	0.016	Ω
Forward transconductance	g <sub>FS</sub>	V <sub>DS</sub> =25V, I <sub>D</sub> =32.5A (note4)			100	S
Dynamic characteristics						
Input capacitance	C <sub>iss</sub>	V <sub>DS</sub> =25V, V <sub>GS</sub> =0V, f=1.0MHz		2000		pF
Output capacitance	C <sub>oss</sub>			450		pF
Reverse transfer capacitance	C <sub>rss</sub>			32.5		pF
Switching characteristics						
Turn-on delay time	t <sub>d(on)</sub>	V <sub>DD</sub> =30V, I <sub>D</sub> =39A, R <sub>G</sub> =4.7Ω R <sub>D</sub> =0.77Ω, V <sub>GS</sub> =10V (note4,5)		12		ns
Turn-on rise time	t <sub>r</sub>			33		ns
Turn-off delay time	t <sub>d(off)</sub>			41		ns
Turn-off fall time	t <sub>f</sub>			12		ns
Total gate charge	Q <sub>g</sub>	V <sub>DS</sub> =30V, I <sub>D</sub> =39A, V <sub>GS</sub> =10V, (note4,5)		40		nC
Gate-source charge	Q <sub>gs</sub>			8		nC
Gate-drain charge	Q <sub>gd</sub>			12		nC
Drain-source diode characteristics and maximum rating						
Maximum continuous drain-source diode forward current	I <sub>S</sub>				65	A
Maximum pulsed drain-source diode forward current	I <sub>SM</sub>				260	A
Drain-source diode forward voltage	V <sub>SD</sub>	V <sub>GS</sub> =0V, I <sub>S</sub> =65A			1.5	V
Reverse recovery time	t <sub>rr</sub>	V <sub>GS</sub> =0V, I <sub>S</sub> =65A		60		ns
Reverse recovery charge	Q <sub>rr</sub>	di <sub>F</sub> /dt=100A/μs (note4)		100		μC

Note: 1. repetitive rating: pulse width limited by maximum junction temperature

 2. L=180μH, I<sub>AS</sub>=65A, V<sub>DD</sub>=25V, R<sub>G</sub>=25Ω, starting T<sub>J</sub>=25°C

 3. I<sub>SD</sub>≤65A, di<sub>F</sub>/dt≤100A/μs, V<sub>DD</sub>≤BV<sub>DSS</sub>, starting T<sub>J</sub>=25 °C

4. Pulse test: pulse width≤300μs, duty cycle≤2%

5. Essentially independent of operating temperature

## 7. Test circuits and waveforms

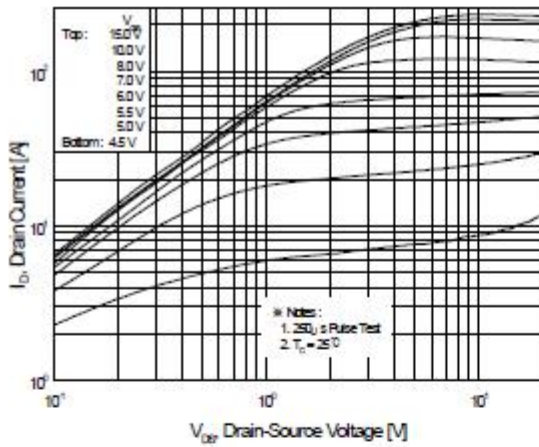


Figure 1. On-Region Characteristics

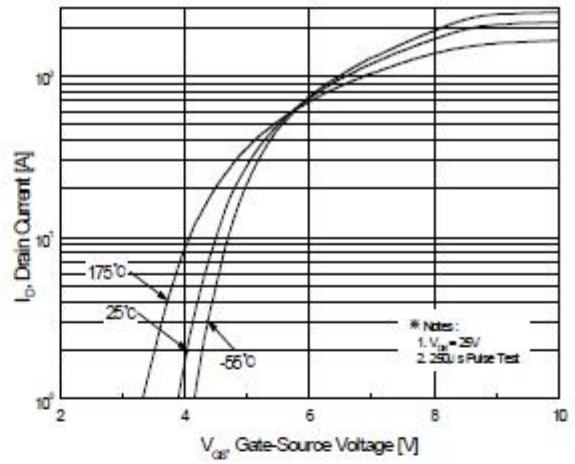


Figure 2. Transfer Characteristics

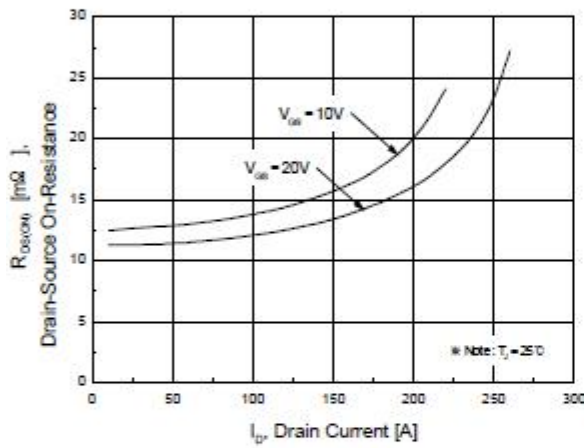


Figure 3. On-Resistance Variation vs. Drain Current and Gate Voltage

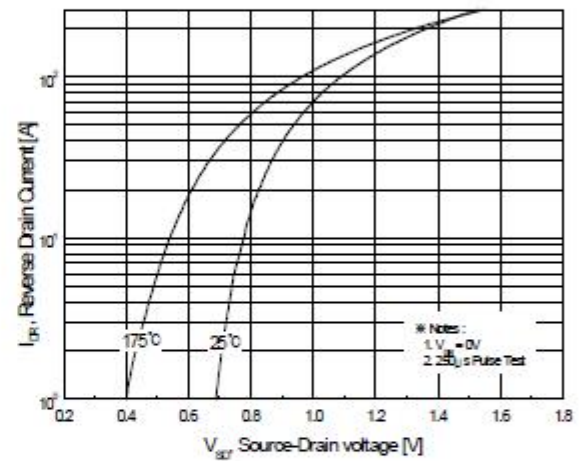


Figure 4. Body Diode Forward Voltage Variation vs. Source Current and Temperature

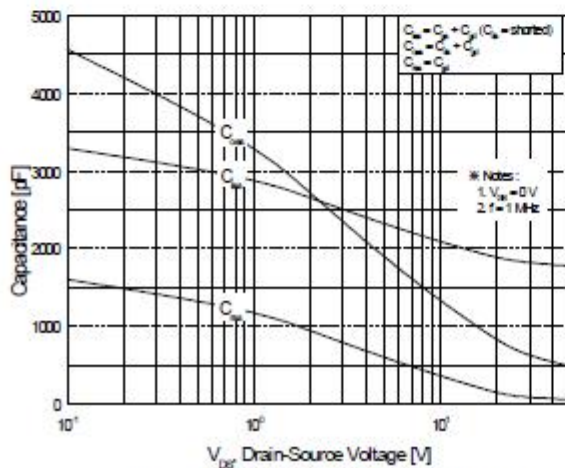


Figure 5. Capacitance Characteristics

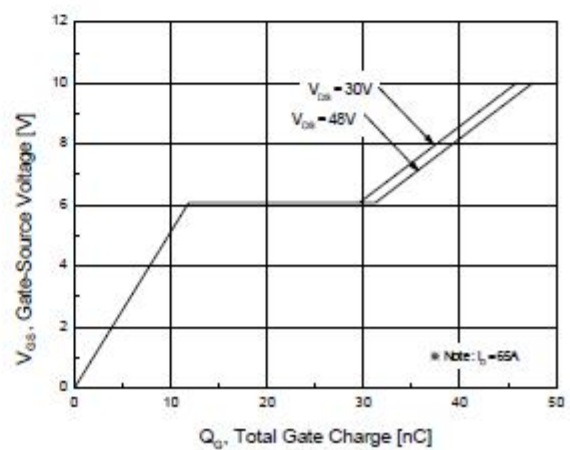


Figure 6. Gate Charge Characteristics

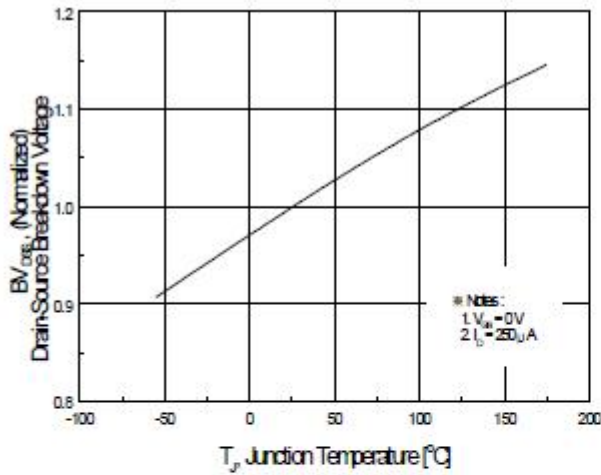


Figure 7. Breakdown Voltage Variation vs. Temperature

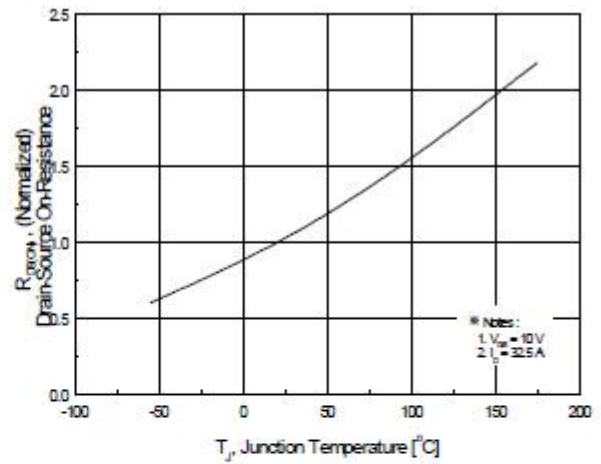


Figure 8. On-Resistance Variation vs. Temperature

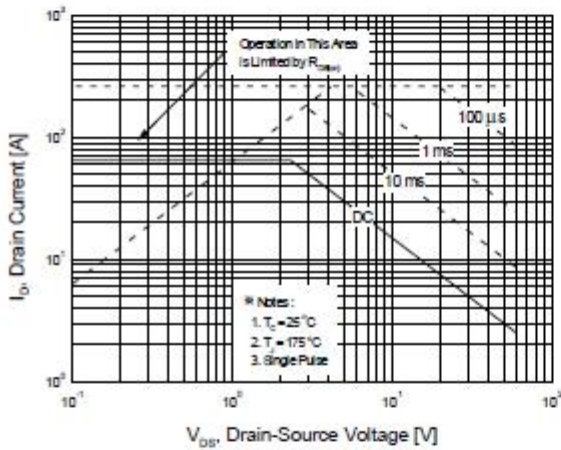


Figure 9. Maximum Safe Operating Area

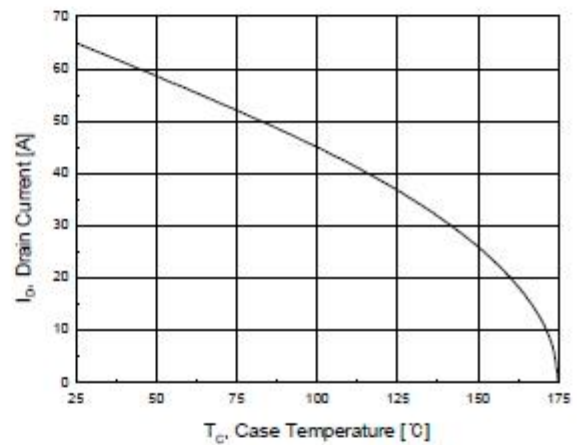


Figure 10. Maximum Drain Current vs. Case Temperature

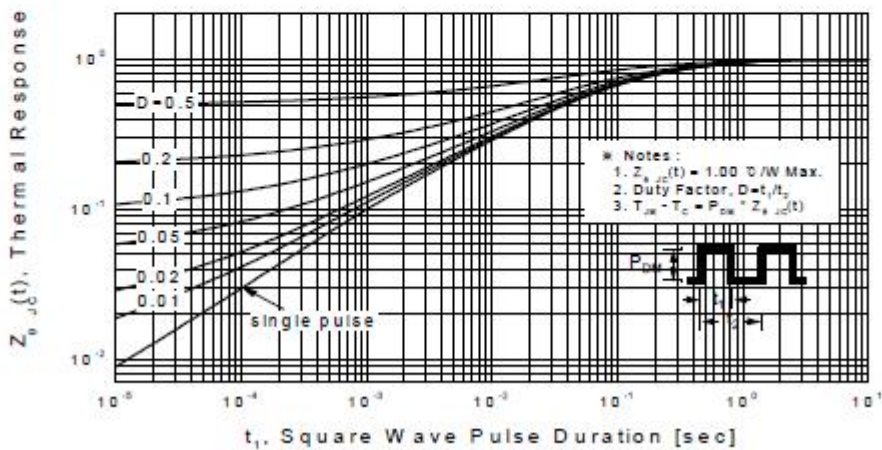
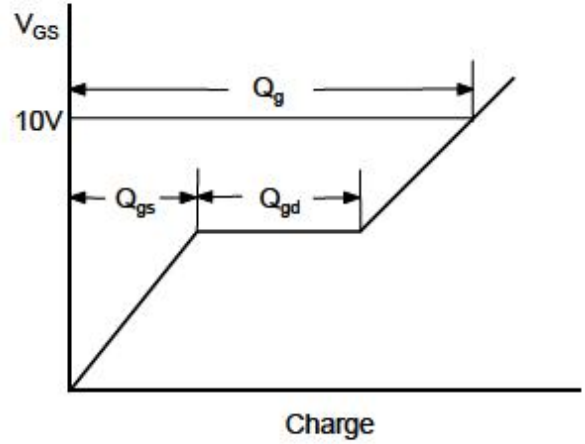
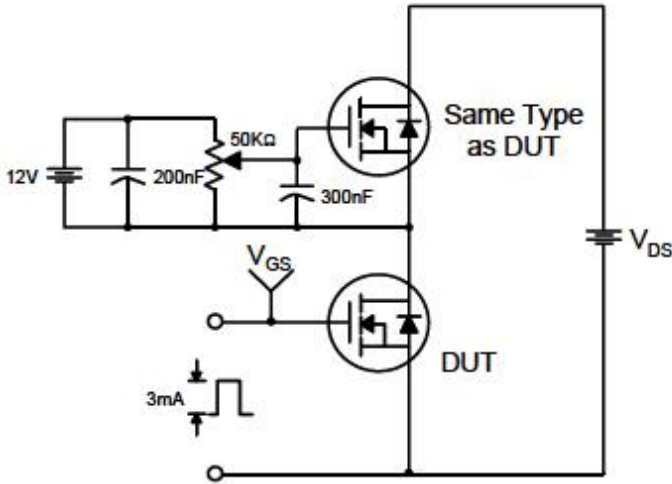


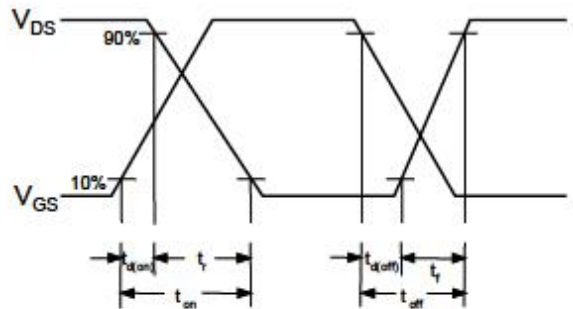
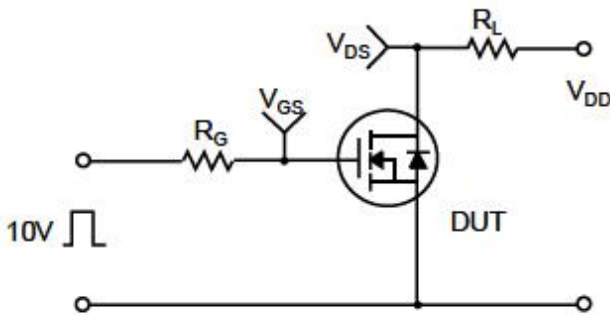
Figure 11. Transient Thermal Response Curve



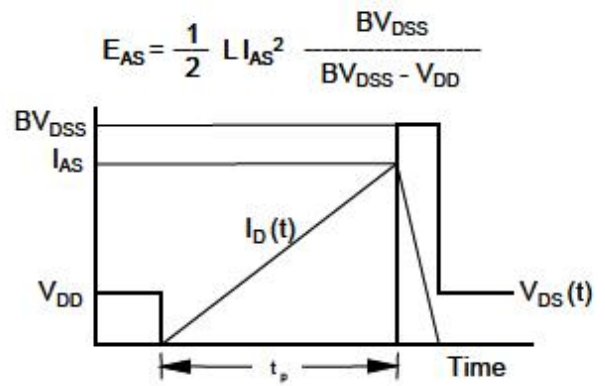
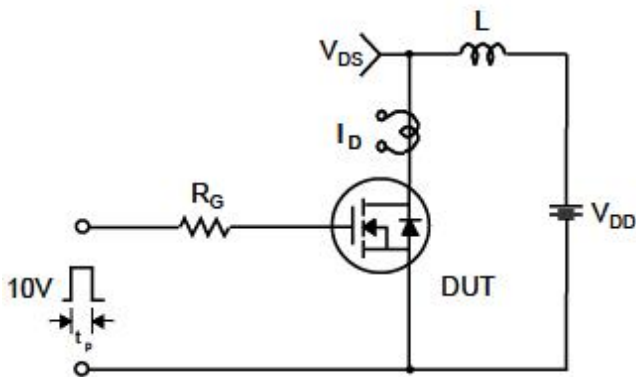
Gate Charge Test Circuit & Waveform



Resistive Switching Test Circuit & Waveforms



Unclamped Inductive Switching Test Circuit & Waveforms



### Peak Diode Recovery dv/dt Test Circuit & Waveforms

